

- 1 cylinder
- 224 cm<sup>3</sup>
- 2.5 kW/3.3 HP
- 3000 rpm
- Nm. 9@2000



## Construction

- 4 -stroke air cooled diesel engine.
- Conical power take-off on crankshaft.
- Anticlockwise rotation.
- Direct injection.
- Forced lubrication with oil pump.
- Centrifugal mass governor.
- Built-in full flow oil filter.
- Oil breathing blow-by with safety device.
- Automatic extra fuel starting device.
- Self bleeding fuel system.
- Torque regulator.
- Automatic compression release.
- Die-cast aluminium crankcase with integral cast iron cylinder liner.
- Aluminium alloy cylinder head.
- Built-in rigid feet.

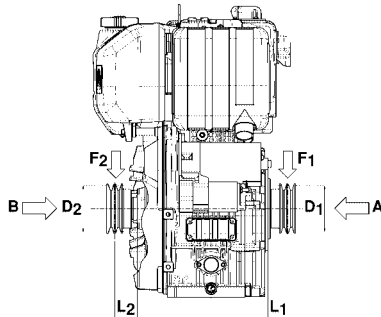
## Applications

- Generating sets
- Vibrating plate
- Hydraulic power pack
- Two-wheel tractor
- Agricultural mower
- Agricultural pump
- High pressure cleaner

## Specifications

Cylinders	N.	1
Displacement	cm <sup>3</sup>	224
Bore	mm	69
Stroke	mm	60
Compression ratio		21:1
Rating kW/HP	N (80/1269/CEE) ISO 1585	2.7/3.7
	NB ISO 3046 IFN	2.5/3.4
	NA ISO 3046 ICXN	2.3/3.1
Max. torque	Nm.	9@2000
Min. idling speed		950±1000
Fuel tank capacity	l	3
Oil consumption	kg/h.	0.0021
Oil sump capacity	l	0.9
Min. allowable oil pressure	bar	1÷1.5
Max. allowable inclination for short periods of operation (peak values)		25° (35°)
Vol. of air required for correct combustion @ 3000 r.p.m.	l/min.	290
Vol. of air required for correct cooling @ 3000 r.p.m.	l/min.	3200
Dry weight	kg	28
Recommended battery	V/Ah	12/36

Minimum pulley diameters for belt drive



$$D_2 \text{ (mm)} \geq 740 [90 + L_2 \text{ (mm)}] \frac{N \text{ (kW)}}{n \text{ (RPM)}}$$

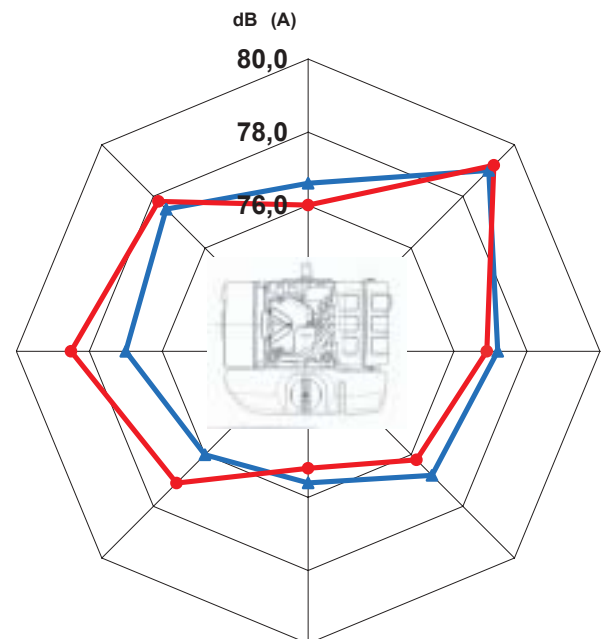
$$D_1 \text{ (mm)} \geq 820 [55 + L_1 \text{ (mm)}] \frac{N \text{ (kW)}}{n \text{ (RPM)}}$$

Max. allowable axial load in both directions A-B = 150 kg



## Sound pressure level dB (A)

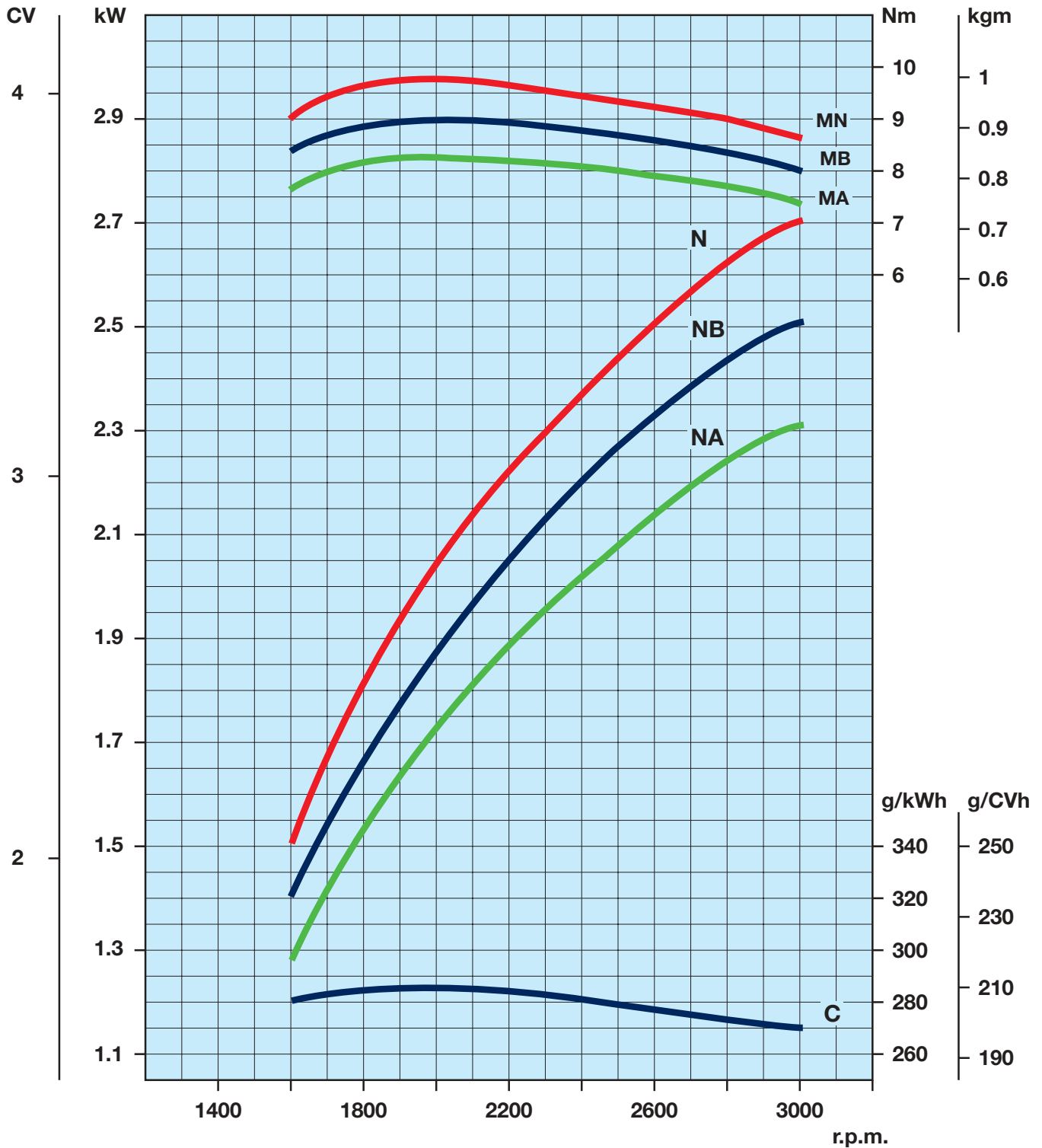
Sound level polar diagram open field 4 meters microphone on load and non load running engine.



— 15LD225/S a 1,9 kW — 15LD225/S a vuoto

# SERIE 15LD

## Curves 15LD 225



**N** Power curve - 80/1269/CEE - ISO 1585 -

**NB** Power curve - ISO 3046/1 - IFN -

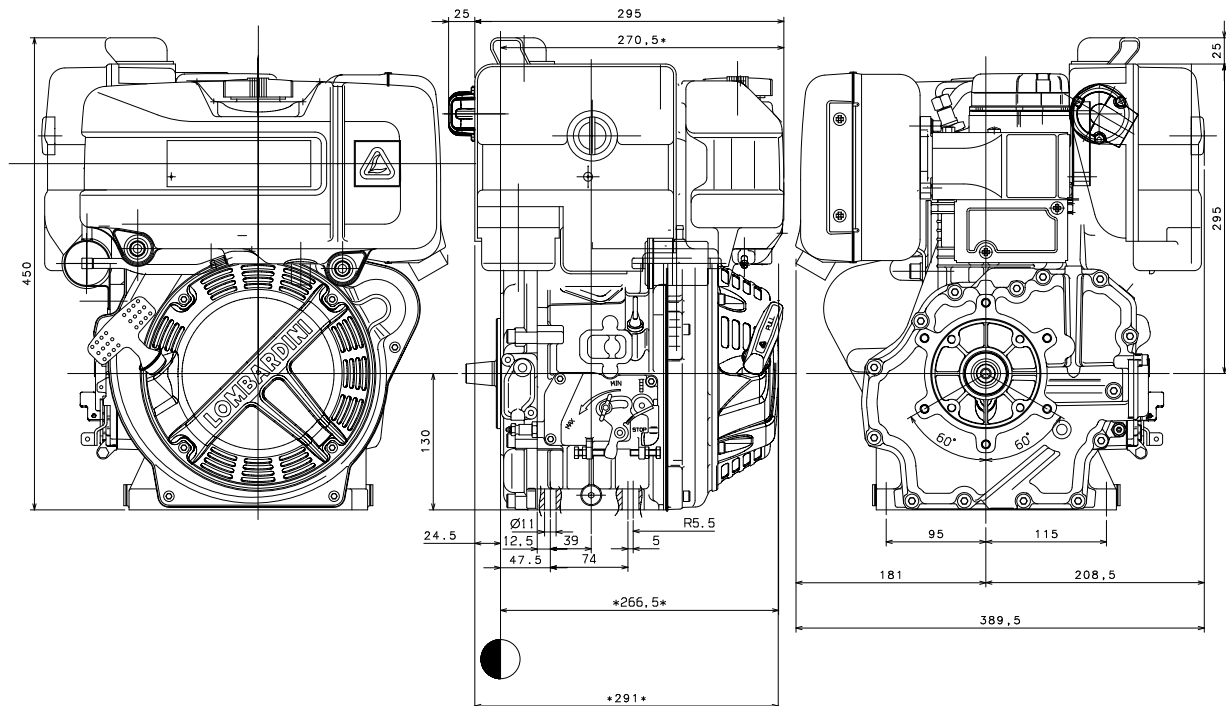
**NA** Power curve - ISO 3046/1 - ICXN -

**MN** Torque curve - (N curve)

**MB** (B curve - **MA** (A curve)

**C** Specific fuel consumption - (NB curve)

## Technical drawings \*



\* More specific dimensions are available on [www.lombardini.it](http://www.lombardini.it) (see table at the bottom of the page)

## Standard equipment

Recoil starting and automatic compression release  
 Fuel tank  
 Fuel filter  
 Dry-air cleaner  
 Muffler with guard  
 Accelerator and stop manual control  
 User maintenance-spare parts booklet

## Accessories

Power take-off flywheel side (engines with electrical starting)  
 Power take-offs with flanging and special shaft  
 Parallel crankshaft  
 Internal dynamic balancer  
 Oil-bath air-cleaner  
 Electric start 12 V / 24 V  
 Keyswitch panel  
 Emergency stop through electrovalve  
 Accelerator and stop remote control  
 Key start panel with shutdown device  
 Fuel lift pump  
 Oil dipstick on cylinder head  
 Oil pressure switch  
 Oil temperature switch  
 Glow plug on intake manifold  
 Recoil with denoising cover  
 Grass protection for engine cooling



ISO 9001 Cert. n. 0446 - 1405  
 QS. 9000 Cert. n. 2231/0



Via Cav. del Lavoro Adelmo Lombardini, 2  
 42100 Reggio Emilia Italia  
 Tel. ++39 0522.3891 Fax ++39 0522.389503  
[www.lombardini.it](http://www.lombardini.it)

Files for this product available on [www.lombardini.it](http://www.lombardini.it)

Data sheet	15LD225DS.PDF
Owner manual	15LD225OM.PDF
Service manual	15LD225SM.PDF
Technical drawing	15LD225TD.DWG
Power curve	15LD225PC.PDF

LOMBARDINI RESERVES THE RIGHT TO MAKE MODIFICATIONS WITHOUT PRIOR NOTICE

cod. 3558302 - 11/2006